

Motorized Projector Lift



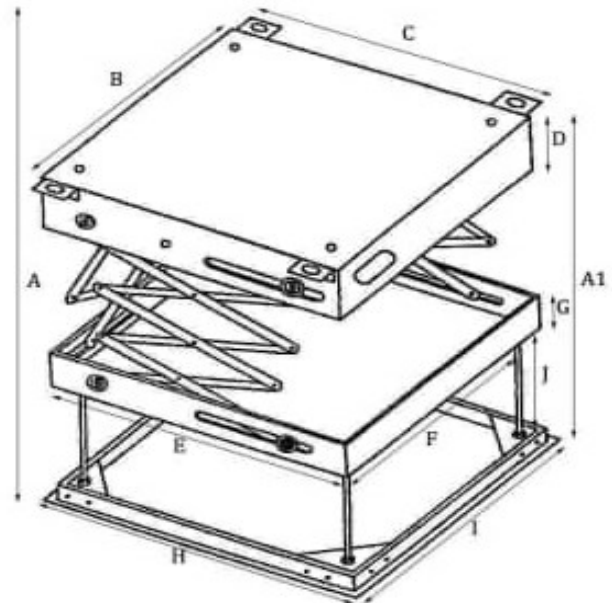
Features :

Projector Lift not only conceals your projector above the ceiling and sets it exactly where you need it for a presentation; it also brings it down to within easy reach for service. This projector electric lift offers three positions: store, show and service.

The projector motorized lift stabilizes projector both laterally and front-to-back with 2 sets of scissors.

Electric ceiling lifts are available in variable extension length.

Size (CM)	Motor	Max weight	Length	Plate (CM)	Weight (kg)
45*45*30	144W	20kg	1.5M	45*45	17.5kg
45*45*30	144W	20kg	2M	45*45	18kg
45*45*30	144W	20kg	3M	45*45	19kg



Model	Packing Measurement	LIFT MEASUREMENT										
		CM	CM	CM	CM	CM	CM	CM	CM	CM	CM	CM
		A(Max.)	A1(min.)	B	C	D	E	F	G	H	I	J
1.5m	51*46*23	150	46.5	45	40	7.5	40	40	5	45	45	30
2m	51*46*24	200	49	45	40	7.5	40	40	5	45	45	30
3m	52*47*30	300	55	45	40	7.5	40	40	5	45	45	30