

\Orchestrating a brighter world **NEC**

Outstanding high - quality LCD projector with
good usability and high efficiency

ME & MC Series



Flexible classroom projectors offer powerful performance,
low maintenance and low cost

Easy to use and at the right price, ME and MC Series projectors provide all the essential features that you need for brilliant display in classrooms and meeting rooms while providing low cost of ownership with minimal maintenance.



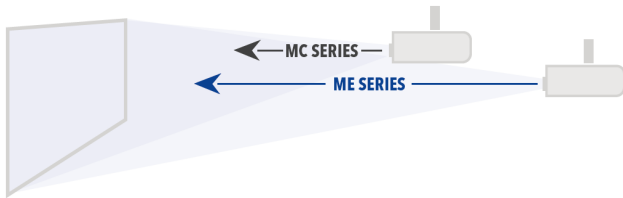
Essential Features for Educational Facilities

- Featuring XGA, WXGA and WUXGA native resolutions, brightness up to 4500 lumens and patented NEC technologies, ME and MC Series LCD projectors display impressive images and videos
- Powerful 16-watt speaker provides volume needed for typical classrooms
- Plug-and-Play intuitive setup and operation
- Variable audio control of external speakers using the projectors remote control
- Sufficient connections for multiple sources with Dual HDMI inputs, computer, video and monitor loopthrough
- Keystone correction technology ensures a square image even when the projector is set up at a steep offset angle to the screen
- AutoSense™ intuitively syncs the projector with most computer signals and features one-touch image optimization
- One-touch source changes and complete menu control using the projector keypad
- Wall Color Correction for vivid images even without a screen

Low Maintenance Environmental Design

- Extended lamp life with ECO Mode™ technology increases lamp life up to 20,000 hours, while lowering power consumption
- Power management enables projector to automatically turn off when an incoming signal is not detected from any of the inputs
- Auto Power On when a signal is detected from a computer
- Carbon savings meter calculates the positive effects of operating the projector in ECO Mode, which is encouraged by an optional message at startup. A green ECO Mode button on the remote control makes the switch easy.
- Quick start (3 to 4 seconds) lets you begin presenting in seconds
- Sleep timer can be set to automatically turn off the projector at set countdown times
- Low power consumption (0.5W in stand-by mode) minimizes energy costs

Low Maintenance Environmental Design



The broad zoom lens that is included with the ME Series provides installation flexibility. The ME Series lens allows for a greater range of placement options. This can be beneficial when there are obstructions in the ceiling or when attempting to utilize existing screens, mounts and cable runs. A broad zoom lens can reduce installation costs and ensure sharp images that fill the screen properly.

Support for 4K Input



This is the first NEC projector in the 3,000 - 4,000 lumens class to support 4K at 30 Hz signal input (Supports HDMI 1 and HDMI 2) for the future-proof input management.

Advanced Functions

MultiPresenter

MultiPresenter is application software that lets you display your device's screen (PC, tablet, smart phone, etc.) on the receiver projectors via wired or wireless LAN. MultiPresenter is free and available on Windows, Mac, iOS, and Android. MultiPresenter can send images from your various devices, which enables you to display real-time images with the internal camera or web pages on the smart devices in combination with a file sharing application.



Desktop Version (Win/Mac)

Computer audio and video data (audio can be transmitted only when using Windows) can be transmitted via a wireless or wired LAN.

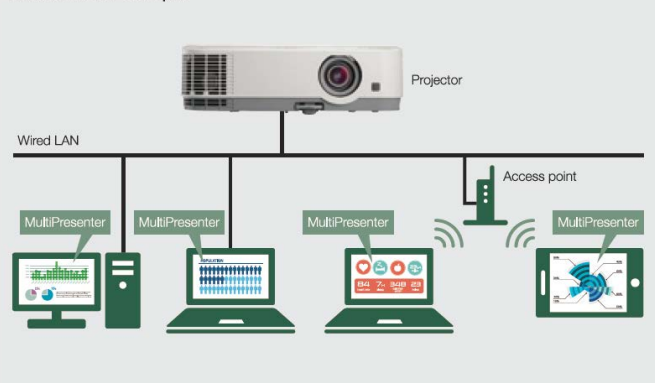
- **Easy Connection**
Input a 4-digit number (PIN code) for a network connection via wireless LAN.
- **Multiple devices (maximum of 16 screens)** can display at the same time and simultaneously display onto multiple receiving projectors.
- **Projector control**

Mobile Version (Android/iOS)

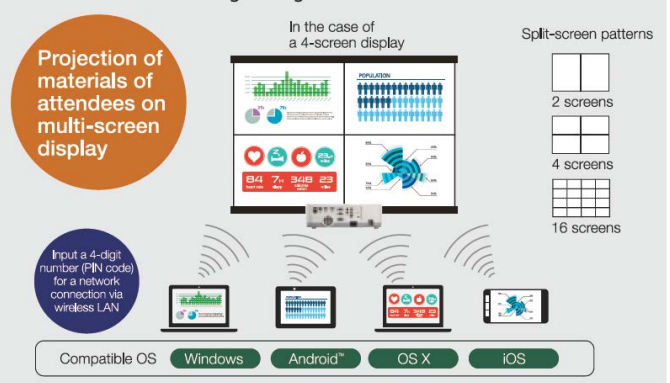
You can transmit files, photos, camera images, files of web pages, and other information stored on Android or iOS devices via a wireless LAN.

- **Easy Connection**
Input a 4-digit number (PIN code) for a network connection via wireless LAN.
- **Multiple devices (maximum of 16 screens)** can display at the same time and simultaneously display onto multiple receiving projectors.
- **Projector control**

Connection Example



Wireless connection image using wireless LAN module



General Specifications - ME Series



		NP-ME403UG	NP-ME423WG	NP-ME383WG	NP-ME453XG
Projector Type		3 LCD Type			
Main Panel	Size/Type	0.64" LCD		0.59" LCD	0.63" LCD
	Aspect Ratio	16:10			4:3
	Native Resolution	1920 dots x 1200 lines	1280 dots x 800 lines		1024 dots x 768 lines
	Pixel Numbers *1	2,304,000	1,024,000		786,432
Lens	Zoom	Manual			
	Focus	Manual			
	Zoom ratio	1.6x	1.7x		
	Throw ratio	1.2-2.0	1.2-2.1		1.3-2.2
	F-number / focal length	F=1.50~2.08 / f=17.2~27.7mm	F:1.7~2.2 / f=17.4~29mm		
Light Source (Lamp)	Type	Signify Infinity: 240W			
	Boost(W)	240W			
	Normal (W)	225W			
	ECO1 (W)	180W			
	ECO2 (W)	150W			
Lamp Life	Boost(W)	8,000H			
	Normal (W)	10,000H			
	ECO1 (W)	12,000H			
	ECO2 (W)	20,000H			
Filter Life	10,000H				
Light Output *2 *3	Lumen	4100lm	4300lm	3900lm	4600lm
Contrast Ratio (White/Black) *2 *3		16,000 : 1 with Iris			
Image Size (Performance guarantee range)		30" to 300" (40" to 200")			
Color Reproduction		10-bit signal processing, 1.07 billion colors			
Maximum Resolution		Up to 1080p			
Keystone Correction	Horizontal	Manual 30°			
	Vertical	Manual +Auto ±30°			
Synchronisation Range	Horizontal	15 to 100KHz (RGB: 24kHz or over)			
	Vertical	48 to 85Hz			
Acoustic Noise	ECO mode OFF	37db			
	Normal ECO mode	34db			
	ECO mode *10	29db			
Input Terminals (Visual)	Mini D-Sub 15pin	1 <Computer In > R/G/B: 0.7Vp-p/75ohm H/V Sync: 4.0Vp-p/TTL Level, Composite Sync: 4.0Vp-p/TTL Level Y: 1.0Vp-p/75ohm (with Negative Polarity Sync), Cb/Cr: 0.7Vp-p/75ohm			
	5BNC	-			
	HDMI ® (Type A 19pin)	2 HDMI <HDMI In>			
	RCA (Video)	1 <Video> Composite Video: 1.0Vp-p/75ohm Compatible signals: NTSC/NTSC4.43/PAL/PAL-N/PAL-M/PAL-60/SECAM			
Input Terminals (Audio)	RCA×2	1 (RCA×2) <Audio L/R> For Video Stereo L/R : 0.5Vrms/22kohm or over			
	Stereo mini Jack	1 <Audio1 In> For Computer Stereo L/R : 0.5Vrms/22kohm or over			
Output Terminals	Mini D-Sub 15pin	1<PC1 out> For Computer			
	Audio	1<Audio out> Selected from : Computer/Video/HDMI1/HDMI2			

General Specifications - ME Series

		NP-ME403UG	NP-ME423WG	NP-ME383WG	NP-ME453XG
Input/output connections					
USB Port	Type A	1<USB> for USB Memory or Wireless LAN, 1.5A for external output			
	Type B	1<USB> for Service			
LAN	Wired LAN(PJ-45)	1<RJ45> 100Base-TX/10Base-T			
	Wireless LAN	Optional via USB type A <W-LAN>			
Control Terminals	PC Control	1 D-sub 9pin <PC Control> (4800/9600/19200/38400bps)			
Built-In Speaker		16W monaural			
Environment	Operational Temp.	41 to 104deg.F (5 to 40deg.C), 20 to 80% Humidity (Non-Condensing) (ECO mode selected automatically at 95°F to 104°F/35°C to 40°C)			
	Storage Temp.	14 to 122deg.F (-10 to 50deg.C) , 20 to 80% Humidity (Non-Condensing)			
	Operational Altitude	0 to 3000 m (9,800 ft) Set [FAN MODE] to [HIGH ALTITUDE] when using the projector at altitudes approximately 5500 feet/1700 meters or higher.			
Power Requirement		100 to 240VAC, 50/60Hz			
Input Current		3.4-1.4A	3.3-1.3A		
Power Consumption	Normal (W)	315W(*4)/305W(*5)	'305W(*4)/293W(*5)		
	ECO1 (Normal ECO mode (W))	260W(*4)/255W(*5)	'250W(*4)/244W(*5)		
	ECO2<ECO mode (W)>	225W(*4)/220W(*5)	'215W(*4)/210W(*5)		
Dimensions(W x H x D)		345mm x 113.5mm x 284.5mm	345mm x 108.4mm x 261mm		
	Without protrusions		345mm x 104.6mm x 261mm		
Net Weight		3.7Kg	3.4Kg		
Gross Dimensions (W x H x D)		450mm x 200mm x 390mm			
Gross Weight		5.0Kg	4.6Kg	4.7Kg	

Note

- *1 : Effective pixels are more than 99.99%.
- *2 : This is the light output value (lumens) when the [PRESET] mode is set to [HIGH-BRIGHT]. If any other mode is selected as the [PRESET] mode, the light output value may drop slightly.
- *3 : Compliance with ISO21118-2012
- *4: 100V-130VAC
- *5: 200V-240VAC

Included accessory



Remote Control

Options



Replacement Lamp NP47LP



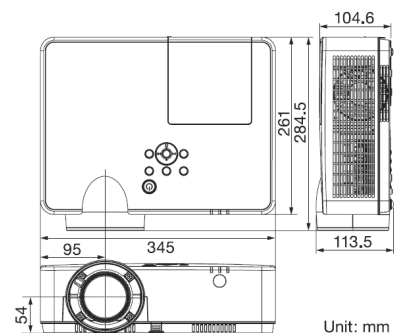
Wireless LAN unit NP05LM1-5*

Allows you to transmit data wirelessly over your network when you insert it into the USB (Wireless LAN) port.

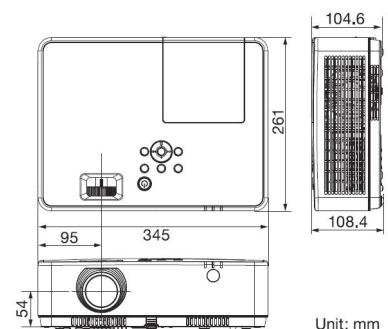
*The last digit may vary depending on the country of destination.

Cabinet Dimensions

NP-ME403UG



NP-ME423WG, NP-ME383WG, NP-ME453XG



General Specifications - MC Series



		NP-MC423WG	NP-MC393WG	NP-MC453XG	NP-MC363XG	NP-MC333XG
Projector Type		3 LCD Type				
Main Panel	Size/Type	0.64" LCD	0.59" LCD	0.63" LCD		
	Aspect Ratio	16:10			4:3	
	Native Resolution	1280 dots x 800 lines			1024 dots x 768 lines	
	Pixel Numbers *1	1,024,000			786,432	
Lens	Zoom	Manual				
	Focus	Manual				
	Zoom ratio	1.2x				
	Throw ratio	1.4-1.6	1.5-1.8			
	F-number / focal length	F:1.6~1.76 / f=19.158~23.018mm			F:2.1~2.25 / f=19.109~22.936mm	
Light Source (Lamp)	Type	Signify Infinity: 240W				Signify Infinity: 225W
	Boost(W)	240W				-
	Normal (W)	225W				
	ECO1 (W)	180W				
	ECO2 (W)	150W				
Lamp Life	Boost(W)	8,000H				-
	Normal (W)	10,000H				
	ECO1 (W)	12,000H				
	ECO2 (W)	20,000H				
Filter Life		10,000H				
Light Output *2 *3	Lumen	4300lm	4000lm	4600lm	3,700lm	3400lm
Contrast Ratio (White/Black) *2 *3		16,000 : 1 with Iris				
Image Size (Performance guarantee range)		30" to 300" (40" to 200")				
Color Reproduction		10-bit signal processing, 1.07 billion colors				
Maximum Resolution		Up to 1080p				
Keystone Correction	Horizontal	Manual ±30°				
	Vertical	Manual +Auto ±30°				
Synchronisation Range	Horizontal	15 to 100KHz (RGB: 24kHz or over)				
	Vertical	48 to 85Hz				
Acoustic Noise	ECO mode OFF	37db				
	Normal ECO mode	34db				
	ECO mode *10	29db				
Input Terminals (Visual)	Mini D-Sub 15pin	1 <Computer In > R/G/B: 0.7Vp-p/75ohm H/V Sync: 4.0Vp-p/TTL Level, Composite Sync: 4.0Vp-p/TTL Level Y: 1.0Vp-p/75ohm (with Negative Polarity Sync), Cb/Cr: 0.7Vp-p/75ohm				
	HDMI ® (Type A 19pin)	2 HDMI <HDMI In>				1 HDMI <HDMI In>
	RCA (Video)	1 <Video> Composite Video: 1.0Vp-p/75ohm Compatible signals: NTSC/NTSC4.43/PAL/PAL-N/PAL-M/PAL-60/SECAM				
Input Terminals (Audio)	RCA×2	1 (RCA×2) <Audio L/R>\nFor Video Stereo L/R : 0.5Vrms/22kohm or over				
	Stereo mini Jack	1 <Audio1 In > For Computer Stereo L/R : 0.5Vrms/22kohm or over				
Output Terminals	Mini D-Sub 15pin	1<PC1 out> For Computer				
	Audio	1<Audio out> Selected from : Computer/Video/HDMI1/HDMI2				

General Specifications - MC Series

		NP-MC423WG	NP-MC393WG	NP-MC453XG	NP-MC363XG	NP-MC333XG
Input/output connections						
USB Port	Type A	1<USB> for USB Memory or Wireless LAN, 1.5A for external output				
	Type B	1<USB> for Service				
LAN	Wired LAN(PJ-45)	1<RJ45> 100Base-TX/10Base-T				
	Wireless LAN	Optional via USB type A <W-LAN>				
Control Terminals	PC Control	1 D-sub 9pin <PC Control> (4800/9600/19200/38400bps)				
Built-In Speaker		16W monaural				-
Environment	Operational Temp.	41 to 104deg.F (5 to 40deg.C), 20 to 80% Humidity (Non-Condensing) (ECO mode selected automatically at 95°F to 104°F/35°C to 40°C)				
	Storage Temp.	14 to 122deg.F (-10 to 50deg.C) , 20 to 80% Humidity (Non-Condensing)				
	Operational Altitude	0 to 3000 m (9,800 ft) Set [FAN MODE] to [HIGH ALTITUDE] when using the projector at altitudes approximately 5500 feet/1700 meters or higher.				
Power Requirement		100 to 240VAC, 50/60Hz				
Input Current		3.3-1.3A				3.0-1.2A
Power Consumption	Normal (W)	305W(*4)/293W(*5)				285W(*4)/275W(*5)
	ECO1 (Normal ECO mode (W))	250W(*4)/244W(*5)				230W(*4)/225W(*5)
	ECO2<ECO mode (W)>	215W(*4)/210W(*5)				195W(*4)/191W(*5)
Dimensions(W x H x D)		345mm x 108.4mm x 261mm				
	Without protrusions	345mm x 104.6mm x 261mm				
Net Weight		3.3Kg				3.2Kg
Gross Dimensions (W x H x D)		450mm x 200mm x 390mm				
Gross Weight		4.7Kg	4.6Kg	4.7Kg		4.6Kg

Note

*1 : Effective pixels are more than 99.99%.

*2 : This is the light output value (lumens) when the [PRESET] mode is set to [HIGH-BRIGHT]. If any other mode is selected as the [PRESET] mode, the light output value may drop slightly.

*3 : Compliance with ISO21118-2012

*4: 100V-130VAC

*5: 200V-240VAC

Included accessory

**Remote Control**

Options

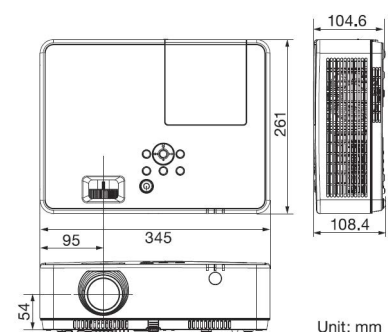
**Replacement Lamp**
NP47LP**Wireless LAN unit**
NP05LM1-5*

Allows you to transmit data wirelessly over your network when you insert it into the USB (Wireless LAN) port.

*The last digit may vary depending on the country of destination.

Cabinet Dimensions

NP-MC423WG, NP-MC393WG, NP-MC453XG, NP-MC363XG, NP-MC333XG



Unit: mm

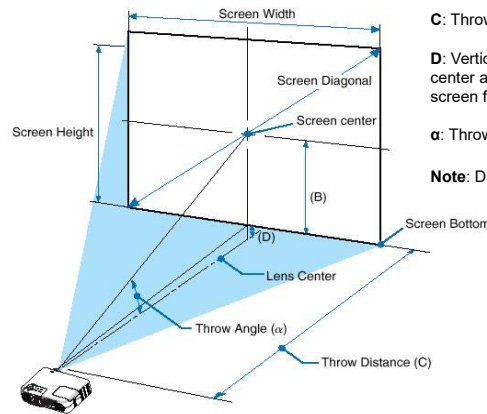
Throw Distance and Screen Size

Screen Size	Screen Width	Screen Height	XGA								
			NP-ME453XG			NP-MC453XG			NP-MC363XG / NP-MC333XG		
			Throw distance (C)		Height (D)	Throw distance (C)		Height (D)	Throw distance (C)		Height (D)
			wide	tele		wide	tele		wide	tele	
inch	mm	mm	mm	mm	mm	mm	mm	mm	mm	mm	
30	610	457	778	1327	-71	900	1083	-65	876	1058	-65
40	813	610	1056	1788	-95	1204	1448	-87	1180	1422	-87
60	1219	914	1612	2710	-143	1812	2179	-130	1786	2150	-130
80	1626	1219	2168	3632	-191	2421	2910	-174	2393	2879	-174
100	2032	1524	2724	4554	-238	3029	3641	-217	3000	3607	-217
120	2438	1829	3280	5476	-286	3637	4372	-261	3606	4335	-261
150	3048	2286	4114	6859	-357	4550	5468	-326	4517	5427	-326
180	3658	2743	4948	8242	-429	5462	6564	-391	5427	6520	-391
200	4064	3048	5504	9164	-476	6070	7295	-435	6033	7248	-435
240	4877	3658	6616	11008	-572	7287	8756	-522	7247	8704	-522
270	5486	4115	7450	12391	-643	8199	9853	-587	8157	9797	-587
300	6096	4572	8284	13774	-714	9112	10949	-652	9067	10889	-652

Screen Size	Screen Width	Screen Height	WXGA								
			ME423WG / ME383WG			MC423WG			MC393WG		
			Throw distance (C)		Height (D)	Throw distance (C)		Height (D)	Throw distance (C)		Height (D)
			wide	tele		wide	tele		wide	tele	
inch	mm	mm	mm	mm	mm	mm	mm	mm	mm	mm	
30	646	404	755	1291	-48	856	1046	-42	955	1149	-28.77497
40	862	538	1025	1740	-64	1153	1403	-55	1277	1536	-38.36662
60	1292	808	1565	2638	-95	1748	2117	-83	1922	2311	-57.54993
80	1723	1077	2105	3536	-127	2342	2831	-111	2567	3086	-76.73325
100	2154	1346	2645	4434	-159	2937	3545	-139	3211	3860	-95.91656
120	2585	1615	3186	5332	-191	3531	4260	-166	3856	4635	-115.0999
150	3231	2019	3996	6679	-238	4423	5331	-208	4823	5797	-143.8748
180	3877	2423	4806	8025	-286	5314	6402	-250	5790	6959	-172.6498
200	4308	2692	5346	8923	-318	5909	7116	-277	6435	7733	-191.8331
240	5169	3231	6427	10719	-381	7097	8544	-333	7725	9283	-230.1997
270	5816	3635	7237	12066	-429	7989	9615	-374	8692	10445	-258.9747
300	6462	4039	8048	13413	-477	8881	10686	-416	9659	11607	-287.7497

Screen Size	Screen Width	Screen Height	WUXGA			
			NP-ME403UG			
			Throw distance (C)		Height (D)	
			wide	tele		
inch	mm	mm	mm	mm	mm	
30	646.2	403.9	745	1240	-48	
40	861.6	538.5	1012	1670	-64	
60	1292.3	807.7	1545	2532	-95	
80	1723.1	1077.0	2079	3393	-127	
100	2153.9	1346.2	2612	4254	-159	
120	2584.7	1615.4	3145	5115	-191	
150	3230.9	2019.3	3945	6407	-238	
180	3877.0	2423.2	4745	7699	-286	
200	4307.8	2692.4	5278	8560	-318	
240	5169.4	3230.9	6345	10283	-381	
270	5815.6	3634.7	7145	11575	-429	
300	6461.7	4038.6	7945	12867	-477	

Distance Chart



B: Vertical distance between lens center and screen center

C: Throw distance

D: Vertical distance between lens center and bottom of screen (top of screen for desktop)

α: Throw angle

Note: Distances may vary +/-5%

All rights reserved in favour of their respective owners. All hardware and software names are brand names and/or registered trademarks of the respective manufacturers. All specifications are subject to change without notice.

Talk to us about your needs today. Contact us at +65 6273 8333 or multimedia@nec.com.sg

SINGAPORE
NEC Asia Pacific Pte Ltd
(Regional Headquarters)
sg.nec.com



Scan the QR code to head to our APAC site for more information on our solutions and products. Follow us on these platforms for updates.

