



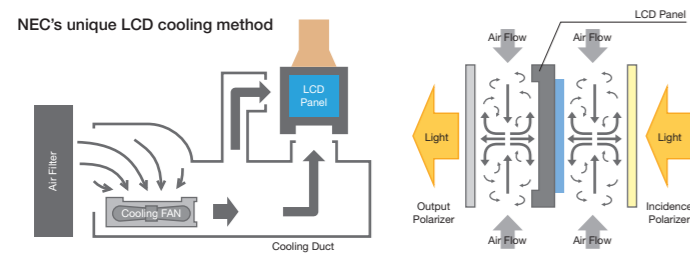
# Realize high brightness and efficient use in a compact and lightweight body and achieve high-resolution and high-quality images

## A High-efficiency Design with High-brightness Projection and Reduced Maintenance

### The Lightest and Most Compact WUXGA Projector Over 8000 ANSI lm (NP-PA803U)\*

A lightweight and compact WUXGA projector (NP-PA803U) of 10.2 kg, 33.23 liters\*\* and 8000 ANSI lm brightness with NEC's unique cooling system for the LCD panel (patented) and the lamp.

\* Not including lens, according to NEC-DS as of January 2017  
\*\* Not including protruding parts



### An Energy-saving Design with Standby Power Consumption

When the on-screen menu's standby mode is set to "NORMAL", power consumption in standby mode with power management on is 0.24 W (100 – 130 V) / 0.30 W (200 – 240 V) and 0.20 W (100 – 130 V) / 0.26 W (200 – 240 V) when the LAN is off.

### Reduce Maintenance and Expenses

When Eco mode is used, lamp replacement time is extended to a maximum of 5,000 hours\*. At the same time, the maximum usage time for the filter is 10,000 hours\*\*. This virtually maintenance-free filter reduces the frequency at which cleaning is required, thereby decreasing total cost of ownership.

\* This time is not guaranteed.  
\*\* Varies by projector installation conditions.



## A High-definition Design to Meet the Era of High-resolution Content and Devices

### NEC's Unique High-definition Functionality with the 4th Generation of "SweetVision" for 4K Content

"SweetVision" newly supports 4K 60 Hz input signals and has been upgraded to support HDR10 and REC2020 signal inputs. It offers a high definition image by raising the contrast in the boundary parts of an image by using the "Craik-O'Brien-Cornsweet effect".



### Supports High-definition Processing of Both Digital and Analogue Inputs

10-bit high-definition signal processing is possible with all digital and analogue inputs. An image can be projected with an excellent contrast of 1024 gradations and over 1 billion colours in 4K images.

### 4K Ready

The New PA series supports HDR10 and BT.2020 signals for various 4K content (including next generation "Ultra HD Blu-ray" and "4K TV broadcasting").

## Multiple Input Terminals for HDMI and DisplayPort and Input and Output Terminals for HDBaseT

### The First Projector Available Worldwide with Built-in HDBaseT (IN/OUT) Support (NP-PA803U)\*

Simplify your installations with HDBaseT. The projector is optimized for video applications and supports uncompressed full HD digital video, audio, Ethernet, power and control signals. With only a single cable (up to 100 m) to run, infrastructure and labour costs are reduced, installations are significantly easier, and there is no cable clutter to manage.

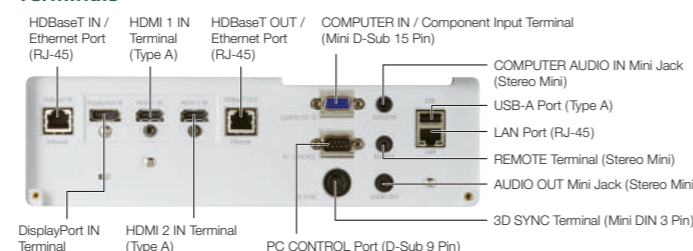
With uncompressed HD video support, images have never been more stunning. What's more, control signals are contained in the same cable.

\* Passed the examination of the testing agencies approved by the HDBaseT Alliance as of December 15th, 2016. Website of HDBaseT Alliance: <http://hdbaset.org/advanced-search>

### A Wide Selection of Digital Inputs such as HDMI and DisplayPort

Among the PA Series' wide selection of inputs are dual HDMI with HDCP and DisplayPort with HDCP for connecting to high-definition sources such as Blu-ray players, cable boxes, satellite receivers and personal computers.

#### Terminals



## Excellent Ease of Installation and Functionality in Various Uses and Applications

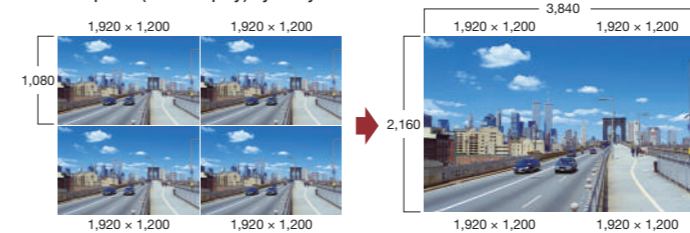
### Multi-screen Function

Multi-display capabilities and tiling technologies are integrated. The projector is also equipped with multiple digital input and HDBaseT output terminals that can connect multiple projectors in a digital daisy chain. These cutting-edge functions produce a beautiful high-resolution image, including a 4K high-resolution display using 4 projectors and various picture-in-picture and picture-by-picture configurations.

### Screen Splitter

NEC is committed to bringing the latest and greatest Innovations to projectors. Multi-display capabilities and TileMatrix technologies are integrated into these projectors by using the HDBaseT repeater function (IN/OUT). This processing is all done internally and therefore eliminates the additional hardware typically required to produce a beautiful 4K resolution image.

#### Screen Splitter (Multi-display) by Daisy Chain



### New Optional Lenses with Peripheral Motorized Focus Features and Advanced Dust-proof Construction

Eight types of lenses are available along with the new "NP40ZL", "NP41ZL" and "NP42ZL" as dust proof lenses with motorized zoom/focus and with a memory function. They correspond to screen sizes from 30 to 500 inches. A selection of wide zoom lenses with wide vertical and horizontal lens shift and control code emulation are available, guaranteeing hassle-free installation and replacement of existing installation projectors.

The "NP40ZL" and "NP41ZL" projectors are also equipped with peripheral motorized focus, and focus adjustment is possible in 2 stages by the centre and the periphery, which offers excellent image quality. Lenses can be mounted and removed with one touch.

\* No lens is mounted at the factory.

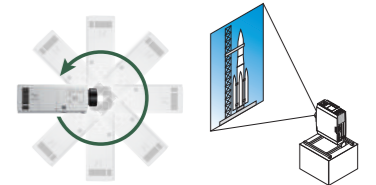
### Edge Blending

This function seamlessly blends multiple projected images to display a single high-resolution image.



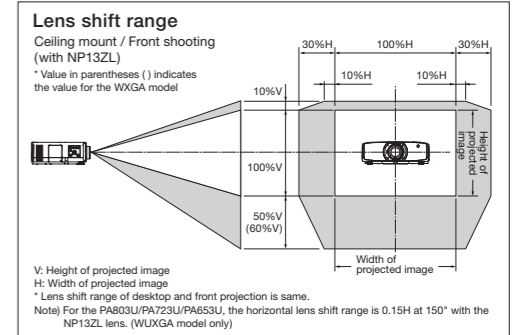
### Tilt-free and Portrait Installation Support

The projector can be rotated freely (360°) to point up or down depending on the installation requirements and can be rotated and installed on its side to create a portrait image.



### Optional Lens specifications

Model	NP11FL	NP30ZL	NP12ZL	NP13ZL	NP14ZL	NP40ZL	NP41ZL	NP42ZL
Lens Type	Fixed Short Throw Lens	Zoom Lens (Short Throw)	Zoom Lens	Zoom Lens	Zoom Lens	Zoom Lens	Zoom Lens	Zoom Lens
Zoom / Focus	Manual	Manual	Manual	Manual	Manual	Motorized	Motorized	Motorized
F# (Wide - Tele)	2.3	1.9 - 2.1	2.2 - 2.69	1.7 - 2.37	2.2 - 2.64	1.7 - 2.43	1.7 - 2.0	2.2 - 2.3
f (mm)	13.2	13.2 - 17.2	19.4 - 25.3	24.4 - 48.6	48.5 - 77.6	TBD	21.8 - 49.8	TBD
Throw ratio (WUXGA @ 100 inch)	0.81:1	0.79 - 1.04:1	1.16 - 1.52:1	1.46 - 2.95:1	2.90 - 4.68:1	0.79 - 1.10:1	1.30 - 3.02:1	2.99 - 5.98:1
Zoom Ratio	-	1.3	1.3	2.0	1.6	1.4	2.3	2.0
Screen Size (Performance guarantee range)	40 - 150 inch (60 - 150 inch)	40 - 500 inch (60 - 180 inch)	30 - 500 inch (40 - 200 inch)	40 - 500 inch (40 - 200 inch)	60 - 500 inch (60 - 200 inch)	50 - 500 inch (80 - 200 inch)	50 - 500 inch (80 - 200 inch)	50 - 500 inch (80 - 200 inch)
Light Output	NP-PA803U: 5,400 lm NP-PA723U: 4,800 lm	NP-PA853U: 7,800 lm NP-PA653U: 6,200 lm	NP-PA853W: 5,300 lm NP-PA703W: 6,700 lm	NP-PA903X: 8,000 lm NP-PA853W: 6,400 lm NP-PA703W: 5,300 lm NP-PA903X: 7,100 lm	NP-PA853W: 7,200 lm NP-PA703W: 6,500 lm NP-PA903X: 9,000 lm	NP-PA853W: 8,000 lm NP-PA703W: 6,500 lm NP-PA903X: 7,400 lm	NP-PA853W: 8,000 lm NP-PA703W: 6,500 lm NP-PA903X: 9,000 lm	NP-PA853W: 8,000 lm NP-PA703W: 6,500 lm NP-PA903X: 9,000 lm
Weight	approx. 1.2 kg	approx. 1.2 kg	approx. 1.2 kg	0.84 kg	approx. 1.0 kg	TBD	approx. 1.85 kg	TBD



## Other Useful Functions and Features

- Cornerstone
- Geometric correction to project an image on more non-standard surfaces
- Stacking correction to boost image brightness
- Centre lens design for easy setup
- Lens memory
- Carbon meter to check the amount of reduction of CO<sub>2</sub> in eco mode
- Seamless switch function for smoother screen changes when switching the signal
- Network control
  - NaViSet Administrator 2
  - PC control
  - Alert mail
  - CRESTRON ROOMVIEW
  - AMX BEACON
  - PJLink
  - HTTP server (projector adjustment)
- Wall colour correction
- PIN security / Control panel lock / Security bar / Security slot
- DICOM simulation



**PA803U**  
8,000 ANSI lumens WUXGA 10.2kg

**PA723U**  
7,200 ANSI lumens WUXGA 10.2kg

**PA653U**  
6,500 ANSI lumens WUXGA 10.2kg

**PA853W**  
8,500 ANSI lumens WXGA 10.2kg

**PA703W**  
7,000 ANSI lumens WXGA 10.2kg

**PA903X**  
9,000 ANSI lumens XGA 10.2kg